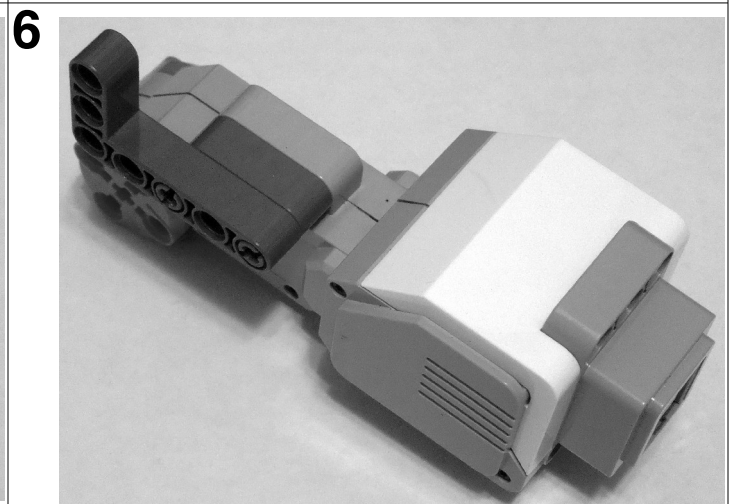
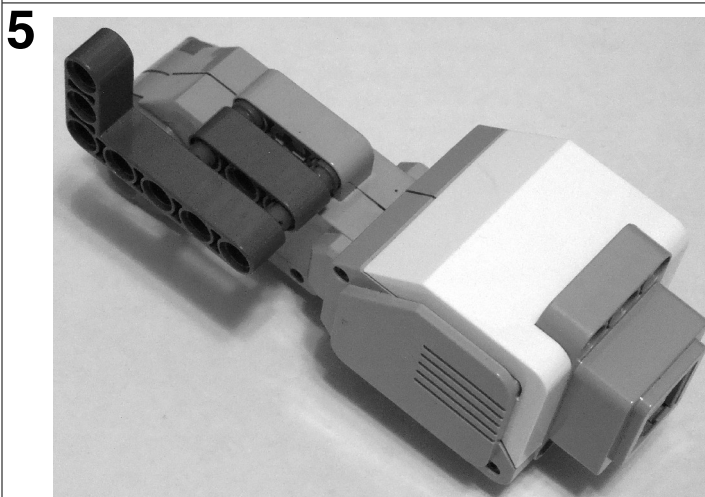
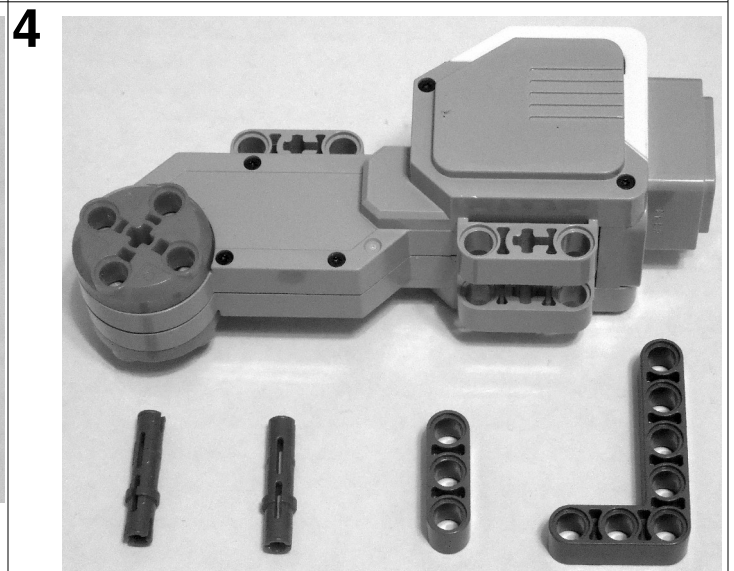
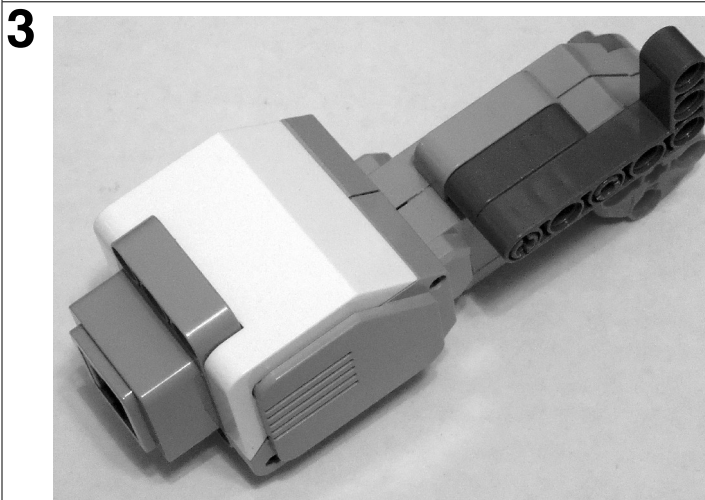
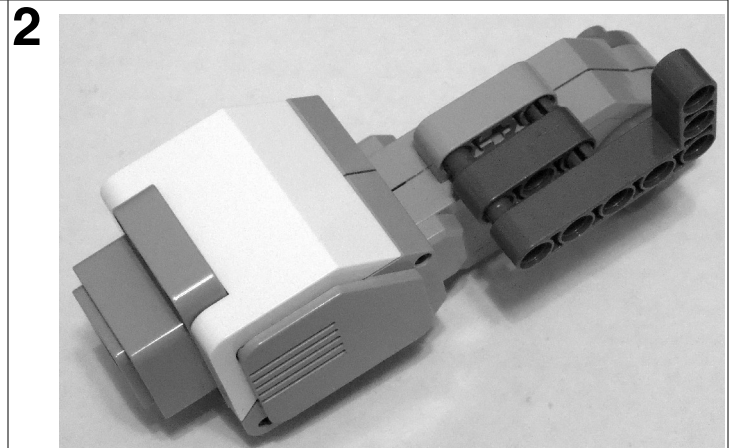
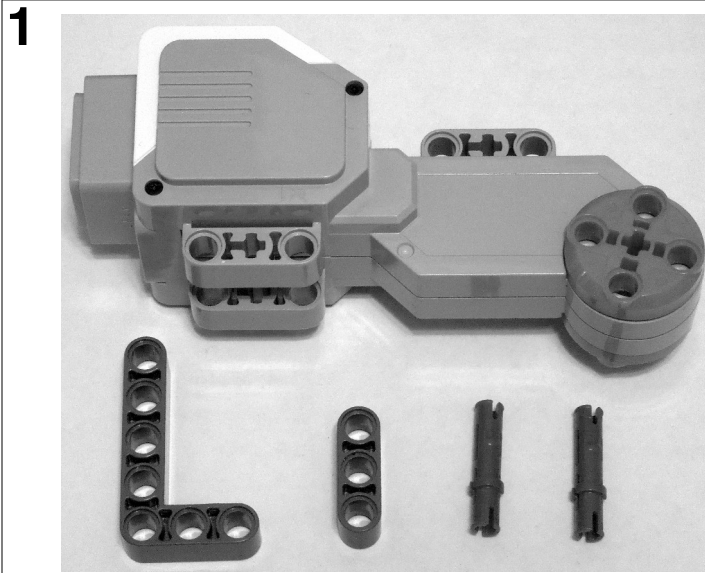
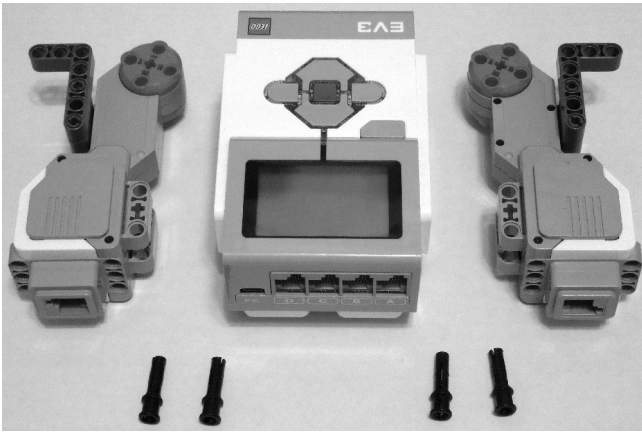


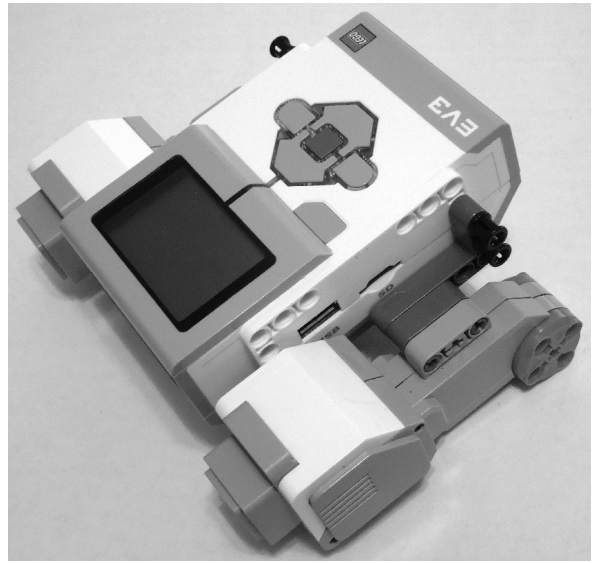
Building the EV3 Doma-like Robot with Top Bar



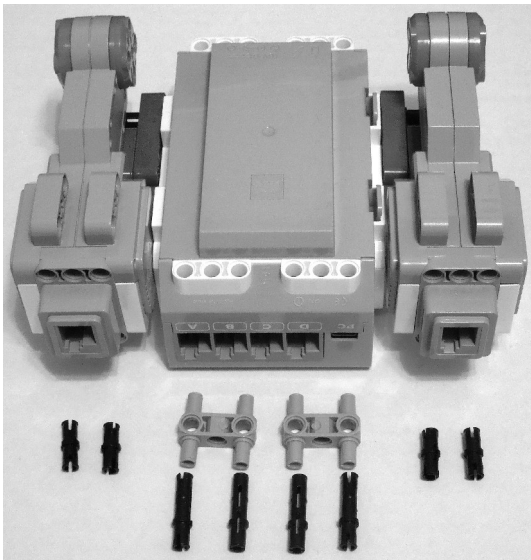
7



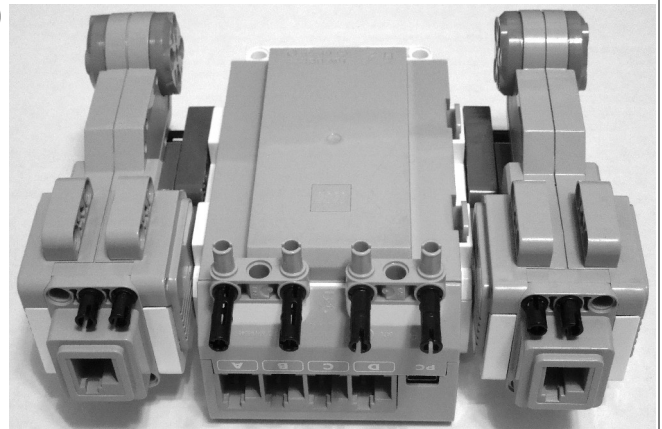
8



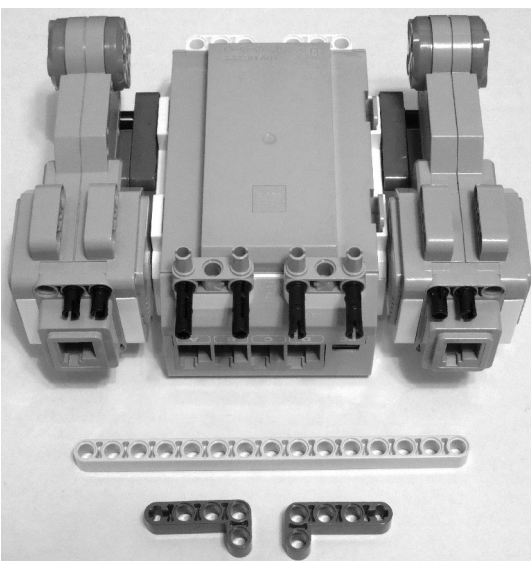
9



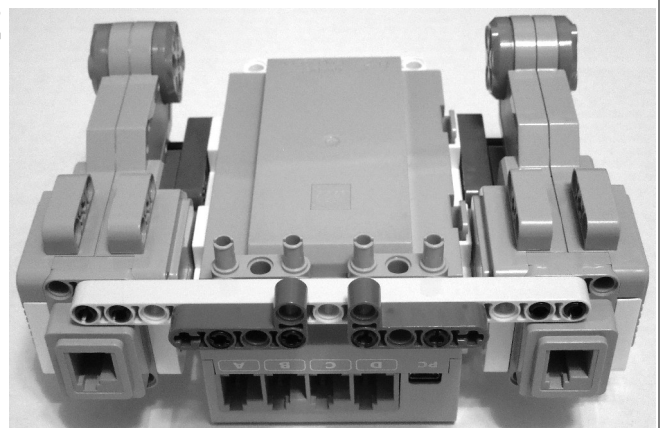
10



11



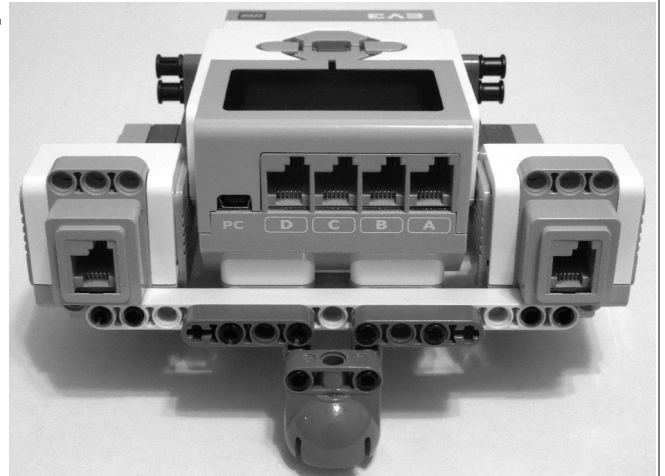
12



13



14



15

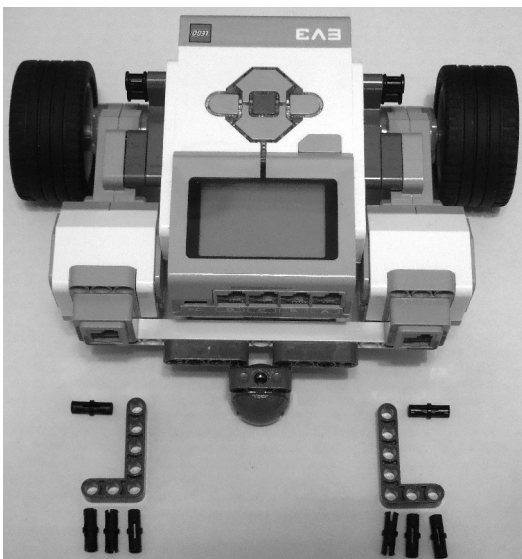


Note: Use #7 Axles

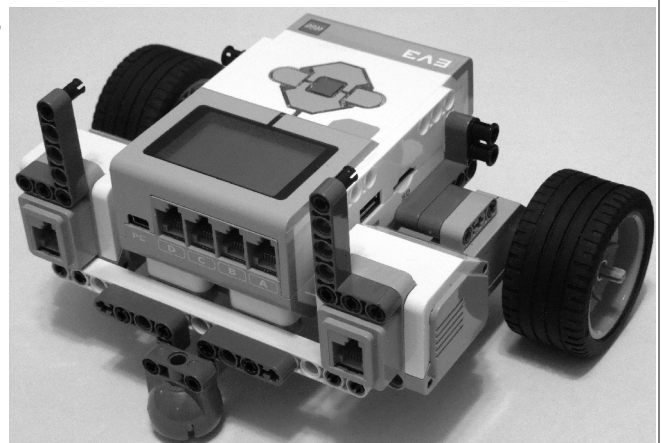
16



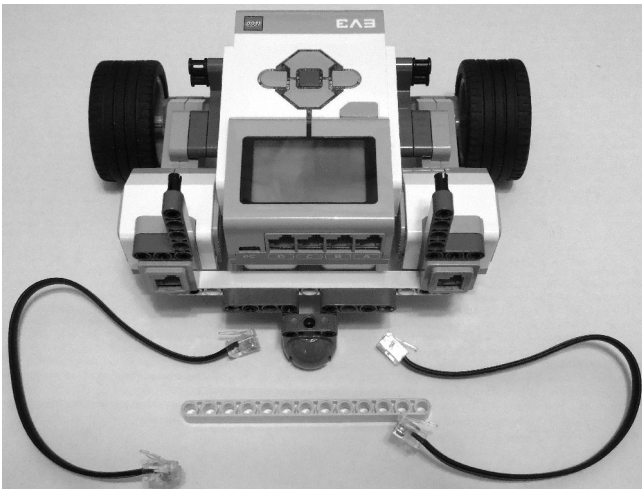
17



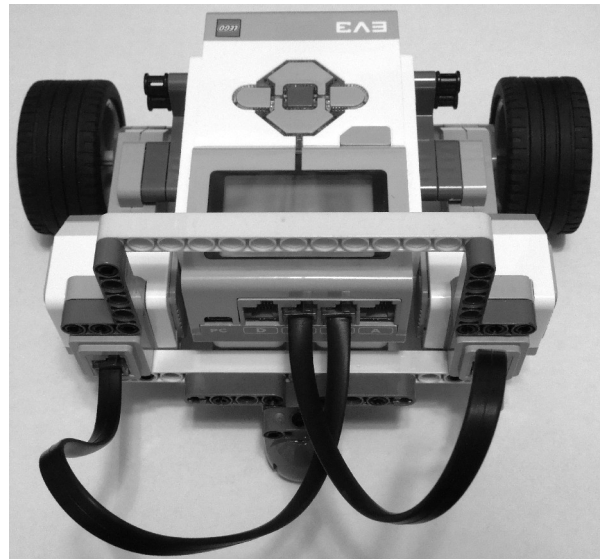
18



19



20



Note: Motor Wires Must Cross
- Left to Port B
- Right to Port C